

Sturm!
 нас рекомендуют друзья

STG7461EL

| NO. | DESCRIPTION |
|-----|------------------------|
| 1 | V belt |
| 2 | hex bolt M8x16 |
| 3 | tyre 13x4.10-6 (right) |
| 4 | hex nut M6 |
| 5 | hex bolt M6x35 |
| 6 | hex nut M8 |
| 7 | bolt M8x45 |
| 8 | curved washer 8 |
| 9 | 25# wire clip |
| 10 | tyre 13x4.10-6 (left) |
| 11 | chute assembly |
| 12 | hex bolt M6X16 |
| 13 | tabletting |
| 14 | belt cover |
| 15 | hex bolt M8X25 |
| 16 | belt lever |
| 17 | chute ring |
| 18 | bolt M6X20 |
| 19 | hex nut M6 |

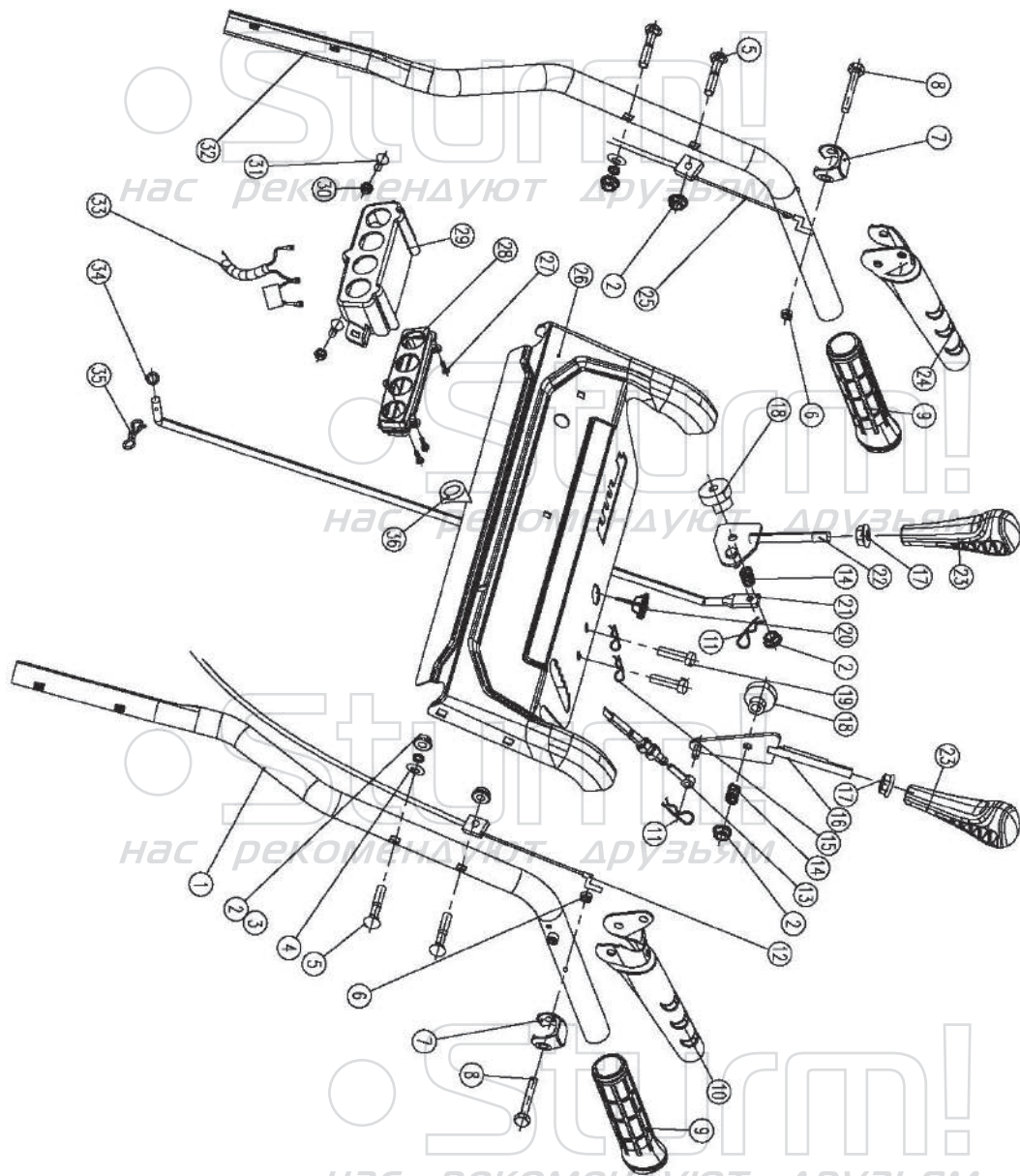
STG7461EL-ex-RU20210512

нас рекомендуют друзья

нас рекомендуют друзья

нас рекомендуют друзья

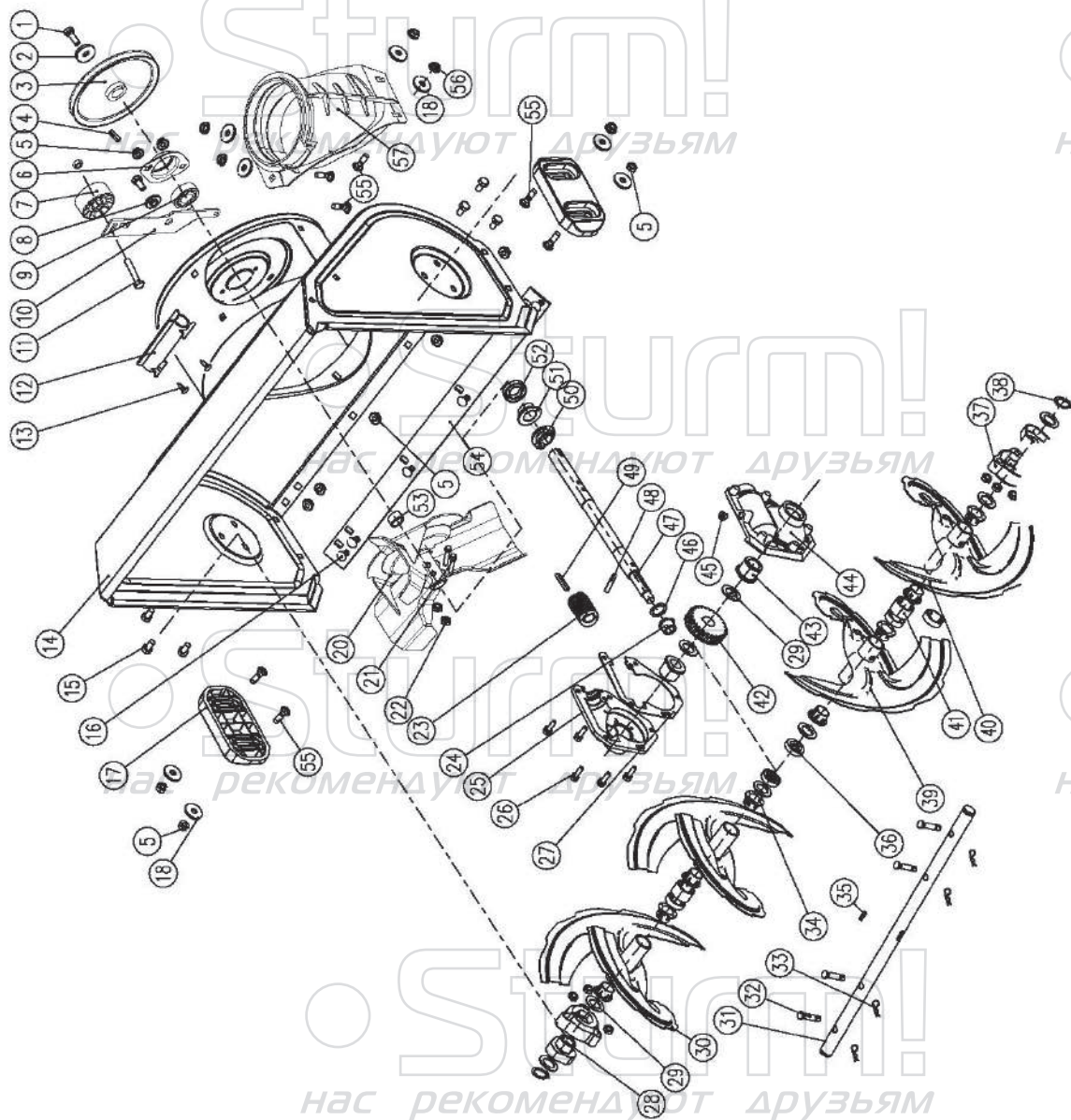
Sturm!
 нас рекомендуют друзья



STG7461EL

| NO. | DESCRIPTION |
|-----|-----------------------------------|
| 1 | upper handle (left) |
| 2 | hex lock nut M8 |
| 3 | elastic washer 8 |
| 4 | curved gasket |
| 5 | bolt M8X40 |
| 6 | locking nut M6 |
| 7 | pad for handle |
| 8 | screw |
| 9 | hand grip |
| 10 | control handle, left |
| 11 | B pin $\varnothing 1.5 \times 25$ |
| 12 | working cable |
| 13 | chute wire |
| 14 | spring |
| 15 | B pin |
| 16 | chute control bar |
| 17 | hex screw M10 |
| 18 | short sleeve |
| 19 | safety screw |
| 20 | switch |
| 21 | gears connecting bar |
| 22 | warking handle bar |
| 23 | hand grip of speed control |
| 24 | control handle, right |
| 25 | auger wire |
| 26 | panel |
| 27 | self tap screw |
| 28 | LED light |
| 29 | protection part |
| 30 | hex lock nut M6 |
| 31 | bolt M6X12 |
| 32 | upper handle (right) |
| 33 | wire2 |
| 34 | flat washer 8 |
| 35 | B pin |
| 36 | rotating sleeve |

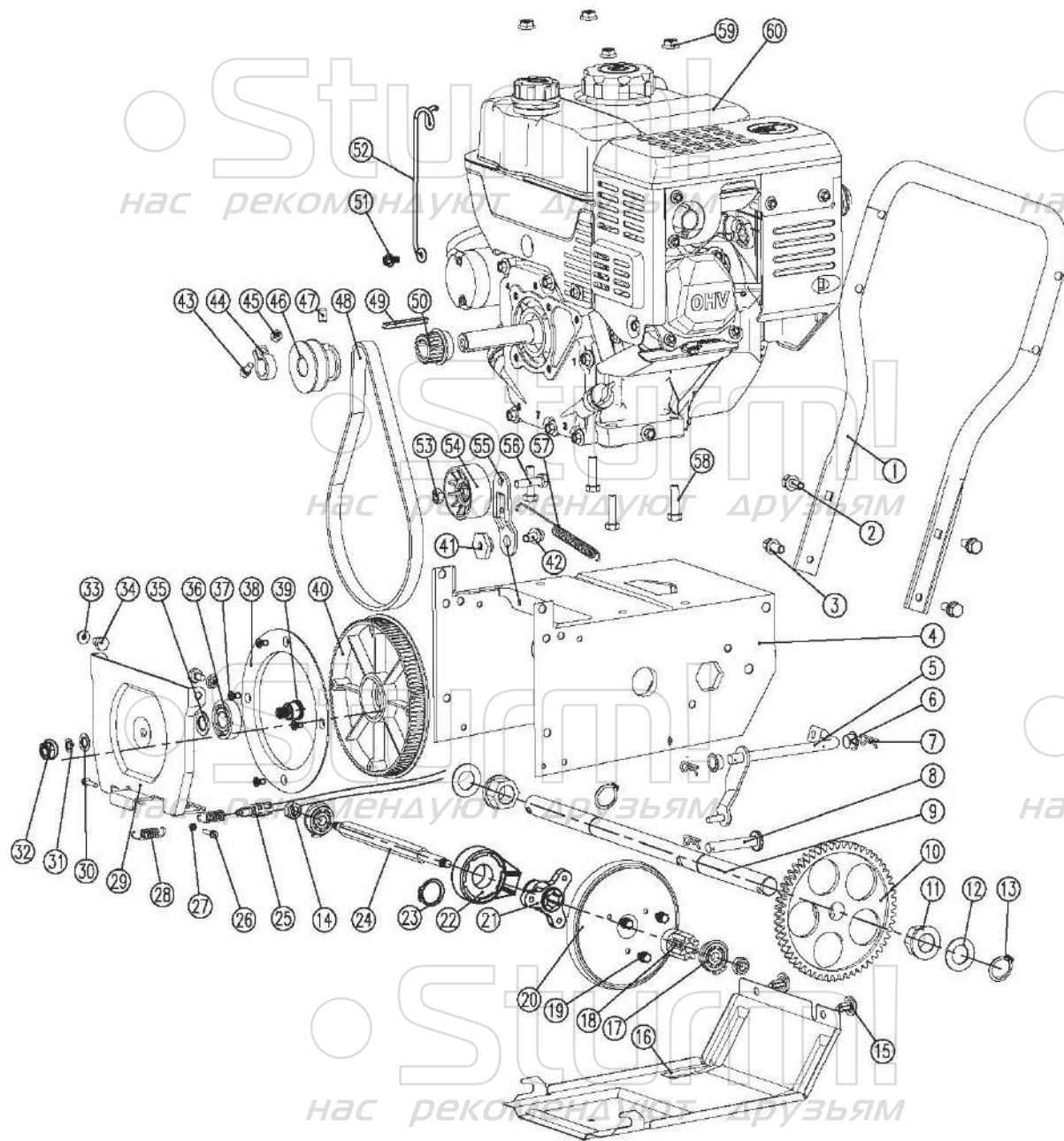
STG7461EL-ex-RU20210512



STG7461EL

| NO. | DESCRIPTION | NO. | DESCRIPTION |
|-----|---|-----|--|
| 1 | hex bolt M10x25 | 30 | left auger assembly |
| 2 | big washer 10 | 31 | output shaft |
| 3 | belt pulley | 32 | safety bolt |
| 4 | flat key A6x6x14 | 33 | B pin |
| 5 | jam nut M8 | 34 | drive shaft sleeve |
| 6 | bearing seat | 35 | flat key A 6X6X16 |
| 7 | small tension pulley | 36 | seal ring FB19x30 |
| 8 | washer for tension pulley | 37 | bearing seat |
| 9 | bearing 6004 | 38 | shaft ring 19 |
| 10 | big tension plate | 39 | right auger assembly |
| 11 | bolt M8x30 | 40 | plastic gasket 10 |
| 12 | shovel seat | 41 | plastic gasket |
| 13 | screw ST4.2x9.5-F | 42 | worm |
| 14 | housing assembly | 43 | output shaft sleeve $\varnothing 19$ |
| 15 | hex screw M8x25 | 44 | worm case right |
| 16 | bolt M8x16 | 45 | plug |
| 17 | skid shoe plastic | 46 | $\varnothing 26X \varnothing 12.5X1.8$ Cushion Cover |
| 18 | big washer 8 | 47 | worm |
| 20 | fan | 48 | pin 6x32 |
| 21 | Inner Hexagonal Bolt M6X35 | 49 | flat key A 5X5X35 |
| 22 | jam nut M6 | 50 | worm ring |
| 23 | worm shaft | 51 | worm shaft sleeve |
| 24 | worm shaft sleeve | 52 | seal ring FB20x35x7 |
| 25 | worm case left | 53 | bushing |
| 26 | bolt combination M6x20 | 54 | scraper |
| 27 | sealing pad | 55 | bolt M8x20 |
| 28 | bearing | 56 | hexagon locking-nuts with flange M8 |
| 29 | $\varnothing 31X \varnothing 19.5X1.8$ gasket | 57 | fixing seat for chute |

STG7461EL-ex-RU20210512

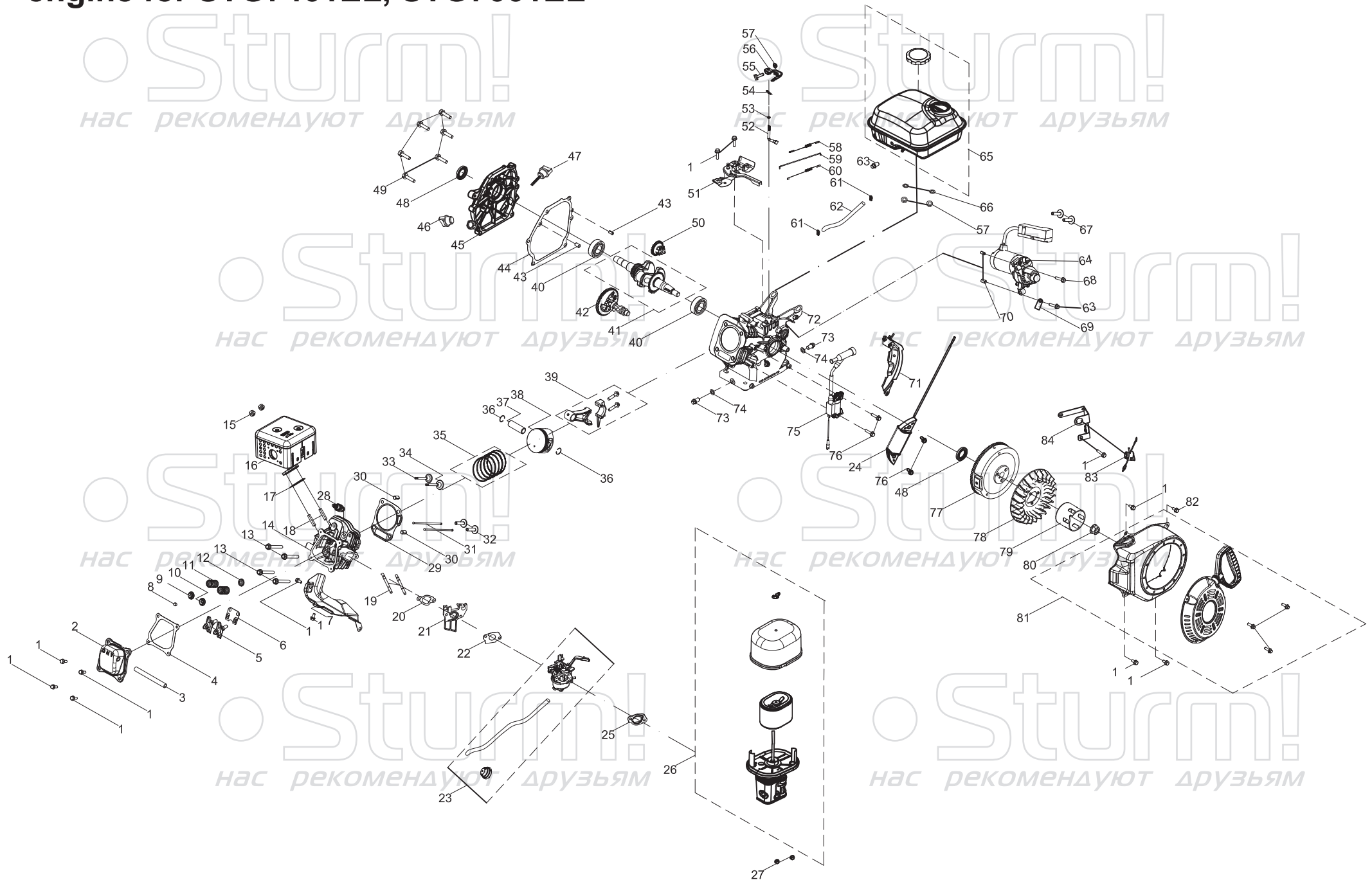


STG7461EL

| NO. | DESCRIPTION | NO. | DESCRIPTION |
|-----|--------------------------------|-----|----------------------------|
| 1 | lower handle | 31 | spring washer 10 |
| 2 | hex bolt M8x45 | 32 | hex nut M10 |
| 3 | hex bolt M8x20 | 33 | hex nut M6 |
| 4 | transmission case | 34 | stepped screw M6 |
| 5 | shifting fork | 35 | washer |
| 6 | small shaft sleeve | 36 | bearing 6204-2LS |
| 7 | B pin $\epsilon 1.5 \times 25$ | 37 | screw M6x12 |
| 8 | pin shaft B 8x35 | 38 | cover for friction disc |
| 9 | driving shaft | 39 | transmission shaft |
| 10 | driving gear | 40 | friction disc |
| 11 | shaft sleeve | 41 | stepped nut M8 |
| 12 | shaft washer | 42 | hex bolt M8x16 |
| 13 | circlip A 20 | 43 | hex screw M6x20 |
| 14 | hex screw M8 | 44 | check ring |
| 15 | plastic clip 8 | 45 | hex nut M6 |
| 16 | steel cover | 46 | small pulley |
| 17 | bearing 6200N | 47 | screw M8x8 |
| 18 | gear | 48 | synchronous belt 710-5M-14 |
| 19 | bolt M6x16 | 49 | flat key 4.7x4.7x45 |
| 20 | rubber pulley | 50 | small synchronous pulley |
| 21 | ring seat | 51 | hex nut M6x15 |
| 22 | shift bearing | 52 | wire hook |
| 23 | circlip 25 | 53 | hex nut M8 |
| 24 | sexi-shaft | 54 | small tension pulley |
| 25 | walking cable | 55 | small tension plate |
| 26 | hex bolt M5x35 | 56 | hex bolt M8x30 |
| 27 | hex nut M5 | 57 | small tension spring |
| 28 | reset spring | 58 | hex bolt M8x35 |
| 29 | seat for friction disc | 59 | hex nut M8 |
| 30 | flat washer C 10 | 60 | engine |

STG7461EL-ex-RU20210512

engine for STG7461EL, STG7661EL



engine for STG7461EL, STG7661EL

| NO. | DESCRIPTION | NO. | DESCRIPTION |
|-----|------------------------------|-----|--------------------------------|
| 1 | Bolt, M6×12 | 43 | Pin, φ8×14 |
| 2 | Valve Cover | 44 | Gasket, Crankcase |
| 3 | Breather Hose | 45 | Crankcase Cover |
| 4 | Gasket, Valve Cover | 46 | Oil Plug |
| 5 | Rocker Arm Assembly | 47 | Dipstick |
| 6 | Rocker Arm Base | 48 | Oil Seal, φ25×φ41.25×6 |
| 7 | Shroud | 49 | Bolt, M8×32 |
| 8 | Valve Adjust Cap, Exhaust | 50 | Governor Gear |
| 9 | Valve Spring Seat | 51 | Governor Gear Bracket Assembly |
| 10 | Valve Spring Seat | 52 | Governor Gear Shaft |
| 11 | Valve Spring | 53 | O-Ring, φ5.2×1.9 |
| 12 | Intake Valve Seal | 54 | Cotter Pin |
| 13 | Bolt, M8×60 | 55 | Bolt, M6×21 |
| 14 | Cylinder Head | 56 | Governor Lever |
| 15 | Nut, M8 | 57 | Nut, M6 |
| 16 | Muffler | 58 | Governor Spring |
| 17 | Gasket, Muffler | 59 | Throttle Linkage |
| 18 | Stud, M8×34 | 60 | Idle Spring |
| 19 | Stud, M6×108 | 61 | Clamp |
| 20 | Gasket, Carburetor Insulator | 62 | Fuel Hose |
| 21 | Insulator | 63 | Bolt, M6×28 |
| 22 | Gasket, Carburetor | 64 | Electric Starter |
| 23 | Carburetor | 65 | Fuel Tank |
| 24 | Charging Coil | 66 | Damping Pad |
| 25 | Gasket, Carburetor | 67 | Bolt, M4×60 |
| 26 | Air Filter Assembly | 68 | Bolt, M6×35 |
| 27 | Nut, M6 | 69 | Clip Base |
| 28 | Spark Plug | 70 | Pin, φ8×10 |
| 29 | Gasket, Cylinder Head | 71 | Lower Shield |
| 30 | Pin, φ10×16 | 72 | Crankcase |
| 31 | Push Rod | 73 | Drain Bolt M10×15 |
| 32 | Tappet | 74 | Washer, φ10×2×φ16 |
| 33 | Exhaust Valve | 75 | Ignition Module |
| 34 | Intake Valve | 76 | Bolt, M6×25 |
| 35 | Piston Ring Set | 77 | Flywheel |
| 36 | Circlip | 78 | Cooling Fan |
| 37 | Piston Pin | 79 | Starter Cup |
| 38 | Piston | 80 | Nut, M14×1.5 |
| 39 | Connecting Rod Assembly | 81 | Recoil Starter |
| 40 | Bearing, 6205 | 82 | Bolt, M6×14 |
| 41 | Crankshaft | 83 | Stop Switch |
| 42 | Camshaft | 84 | Bracket |